

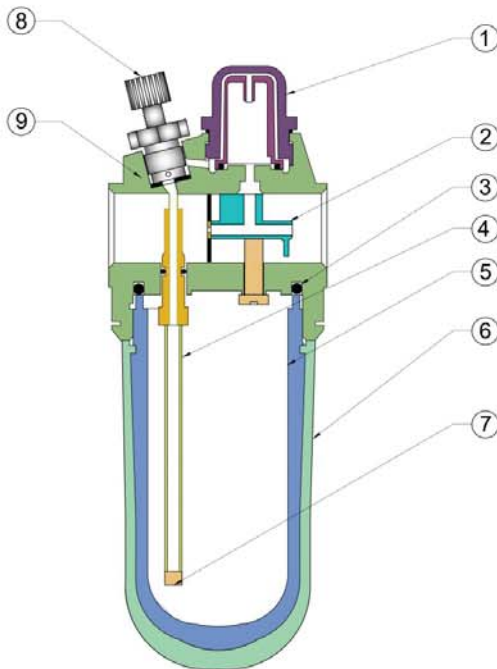
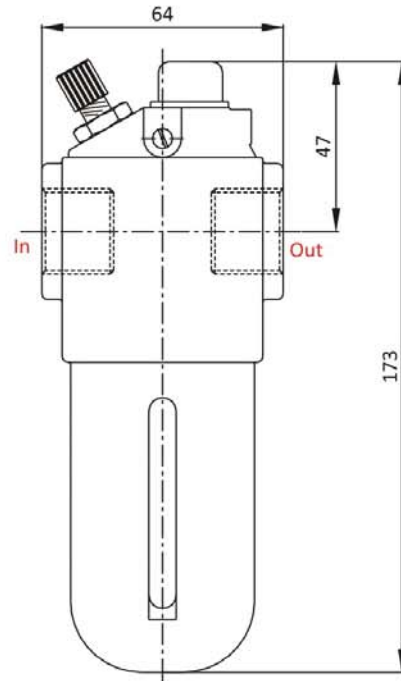


Features

- » Design for Heavy Duty Application
- » Precise Regulating Lubrication
- » Type of Oil to be used ISO VG32

Technical Specification

| | | | |
|--------------------|------------------------------|----------|----------|
| Model | AL-MD-6 | AL-MD-10 | AL-MD-15 |
| Size | 1/4" | 3/8" | 1/2" |
| Pressure | 10 Kg/cm ² (max.) | | |
| Temperature | 50 °C (max.) | | |
| Recommended Oil | ISO VG32 or Equivalent | | |
| Flow SCFM at 5 Bar | 40 | 65 | 100 |
| Bowl Capacity | 115 | 115 | 115 |
| Media | Compressed air | | |
| Weight | 0.468 | 0.457 | 0.471 |



| No. | Part Name | Material |
|-----|--------------------------|----------------------------|
| 1 | Oil Indicator Dom Set | Poly Carbonate |
| 2 | Distributor | Nylon |
| 3 | 'O' Ring | NBR |
| 4 | Oil Pipe | P. U. |
| 5 | Bowl | Poly Carbonate |
| 6 | Bowl Guard | Nylon |
| 7 | Filter Element | Sinter Bronze |
| 8 | Adjusting Knob | Brass |
| 9 | Body | Aluminum Pressure Die Cast |