

## Air Combination (Filter + Regulator)

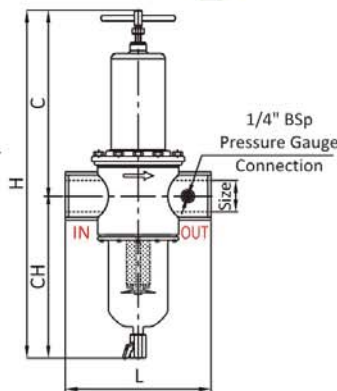
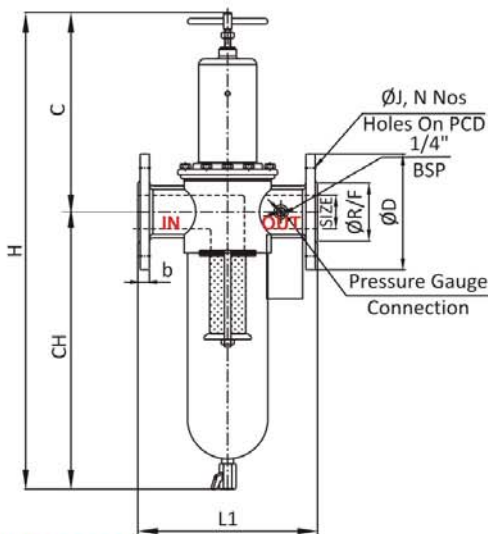
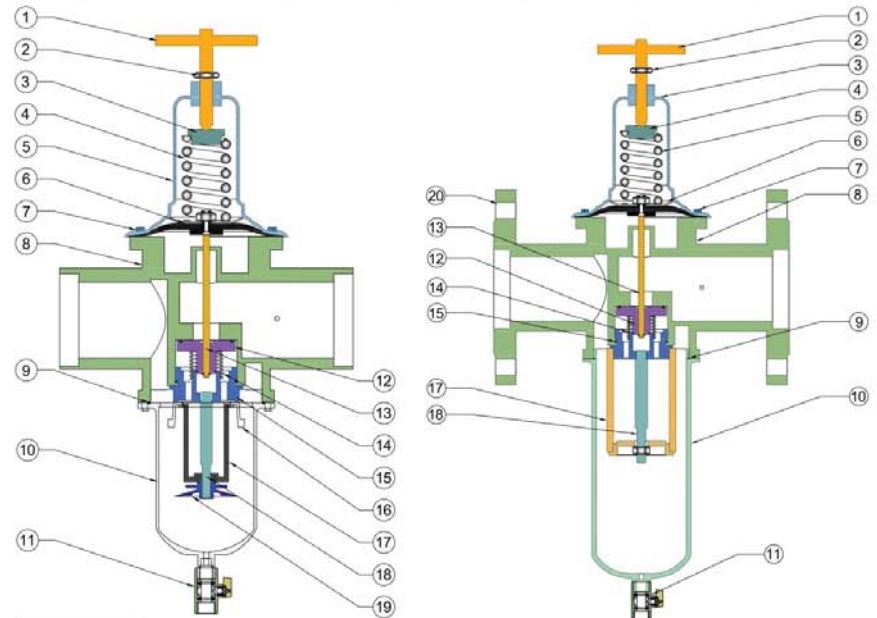


### Features

- ▶▶ High Flow Design
- ▶▶ Heavy Duty & Durable Design
- ▶▶ Comfortable to all industrial use.
- ▶▶ Turn "T" Type Key Clock Wise to Increase Pressure

### Technical Specification

Model Screwed	HFS - 40	HFS - 50	----	----	----
Model Flanged	HFC - 40	HFC - 50	HFC - 65	HFC - 80	HFC - 100
Size	1.1/2"	2"	2.1/2"	3"	4"
Pressure	12 Kg/cm <sup>2</sup>				
Temperature	50 °C (max.)				
Media	Compressed air				
End Connection	Flanged End 150#				
Weight Kg. (Approx.)	8.325	8.300	---	---	---
Weight Kg. (Approx.) Flanged 150#	12.120	12.900	19.400	20.300	24.600



**Dimensions :** (All Dimensions are in mm)

SIZE	L	L1	C	CH	ØR/F	ØD	b	PCD	ØJ	N	H
1.1/2"	175	285	253	294	73	125	12.7	98	15.04	4	547
2"	175	285	253	294	92	150	14.3	120.7	19.05	4	547
2.1/2"	----	335	137	290	104.8	180	17.9	139.7	19.05	4	427
3"	----	335	137	290	127	190	19.5	152.4	19.05	4	427
4"	----	335	137	290	157.2	230	24.3	190.5	19.05	8	427

No.	Part Name	Material
1	Adjusting "T" Stud	Steel Plated
2	Check Nut	Brass
3	Spring Guide	Aluminum
4	Pressure Spring	Spring Steel
5	Bonnet	Steel Fabricated
6	Diaphragm	P.U. with Brass Mould
7	Fastener	S. Steel
8	Body	I. C. WCB
9	Gasket	NBR
10	Bowl	Steel Fabricated
11	Manual Drain Valve	Brass
12	Plunger	Alu. / Brass with NBR
13	Plunger Pin	Brass
14	Plunger Spring	S. S. 304
15	Bottom	Aluminum
16	Deflector	Nylon
17	Filter Element	25 Micron
18	Stud	Steel Fabricated
19	Baffle	Nylon
20	Flange	C. S. Fabricated